

Thermostat NO 301120



Product Features

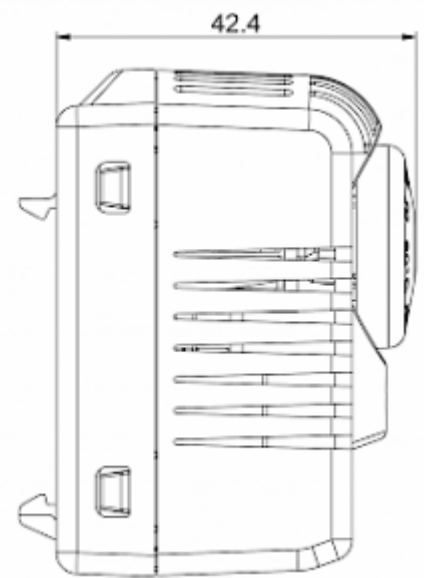
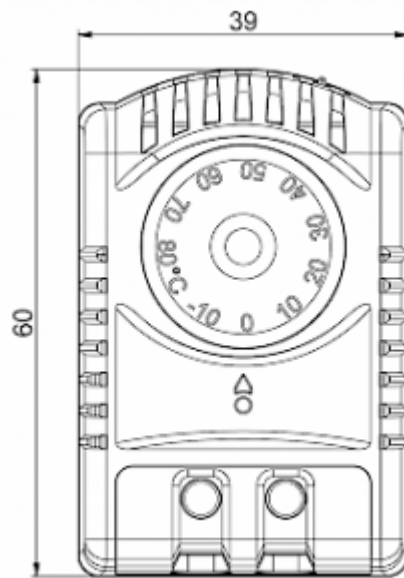
Brand Name:	SoliTherm
Order Number:	301120
Color:	Grey (RAL 7011)
Housing Material:	PC plastic
Ingress protection:	IP 20
Note:	Hyst. 7±3K / Sw.Pt.tol ±4K
Approvals:	CE, cURus, RoHS
UL File Nummer:	E358385
Taric Code:	90321089

Technical data 301120

Temperature range:	-45°C - 120°C
Setting range:	-10°C - 80°C
Mounting:	Clips for DIN rail 35 mm
Dimension H x W x D:	60 x 39 x 42.4 mm
Weight:	~ 65 g
Voltage / Frequency:	max. 250 V AC 16 A(res) / 2 A(ind) max. 72 V DC max. 30 W
Lifetime:	100,000 hrs.
Connection:	2-pole terminal, clamping torque 0.5 Nm max. solid wire - 2.5 mm ² max., stranded wire - 1.5 mm ² max.

Please click on the graphics to download.
More CAD drawings can be found under [Product Download](#).
> [Overview product group Thermal controls / Accessories](#)

Cut out dimensions:



[click image to enlarge](#)