

## Twin thermostat NCNC 301210



### Product Features

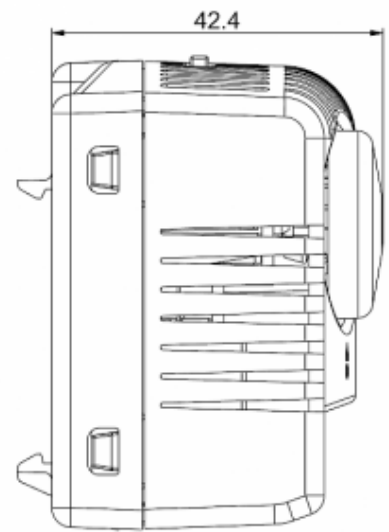
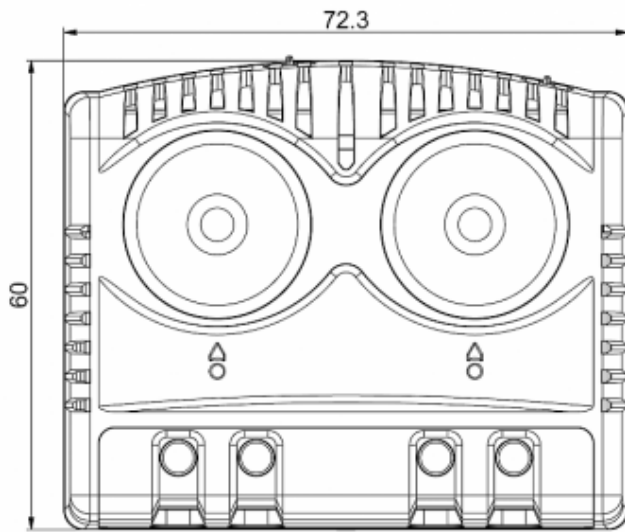
<b>Brand Name:</b>	SoliTherm
<b>Order Number:</b>	301210
<b>Color:</b>	Grey (RAL 7011)
<b>Housing Material:</b>	PC plastic
<b>Ingress protection:</b>	IP 20
<b>Note:</b>	Hyst. 7±3K / Sw.Pt.tol ±4K
<b>Approvals:</b>	CE, cURus, RoHS
<b>UL File Nummer:</b>	E358385
<b>Taric Code:</b>	90321089

## Technical data 301210

<b>Temperature range:</b>	-45°C - +120°C
<b>Setting range:</b>	-10°C - 80°C
<b>Mounting:</b>	Clips for DIN rail 35 mm
<b>Dimension H x W x D:</b>	60 x 72.3 x 42.4 mm
<b>Weight:</b>	~110 g
<b>Voltage / Frequency:</b>	max. 250 V AC 16 A(res) / 2 A(ind) max. 72 V DC max. 30 W
<b>Lifetime:</b>	100,000 hrs.
<b>Connection:</b>	2-pole terminal (x2), clamping torque 0.5 Nm max. solid wire - 2.5 mm <sup>2</sup> max., stranded wire - 1.5 mm <sup>2</sup> max.

Please click on the graphics to download.  
More CAD drawings can be found under [Product Download](#).  
> [Overview product group Thermal controls / Accessories](#)

**Cut out  
dimensions:**



[click image to enlarge](#)