

Twin thermostat NCNO 301230



Product Features

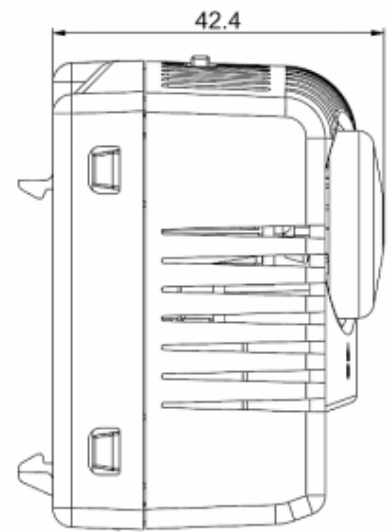
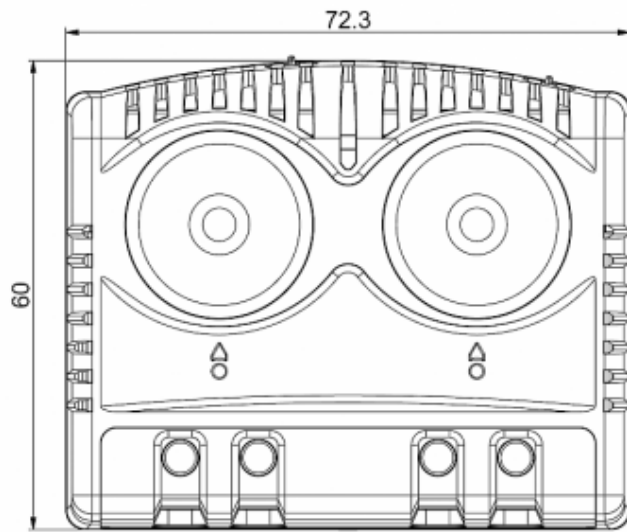
| | |
|----------------------------|----------------------------|
| Brand Name: | SoliTherm |
| Order Number: | 301230 |
| Color: | Grey (RAL 7011) |
| Housing Material: | PC plastic |
| Ingress protection: | IP 20 |
| Note: | Hyst. 7±3K / Sw.Pt.tol ±4K |
| Approvals: | CE, cURus, RoHS |
| UL File Nummer: | E358385 |
| Taric Code: | 90321089 |

Technical data 301230

| | |
|-----------------------------|--|
| Temperature range: | -45°C - +120°C |
| Setting range: | -10°C - 80°C |
| Mounting: | Clips for DIN rail 35 mm |
| Dimension H x W x D: | 60 x 72.3 x 42.4 mm |
| Weight: | ~110 g |
| Voltage / Frequency: | max. 250 V AC 16 A(res) / 2 A(ind) max. 72 V DC max. 30 W |
| Lifetime: | 100,000 hrs. |
| Connection: | 2-pole terminal (x2), clamping torque 0.5 Nm max. solid wire - 2.5 mm ² max., stranded wire - 1.5 mm ² max. |

Please click on the graphics to download.
More CAD drawings can be found under [Product Download](#).
> [Overview product group Thermal controls / Accessories](#)

**Cut out
dimensions:**



[click image to enlarge](#)