

Mechanical hygrostat 301410



Product Features

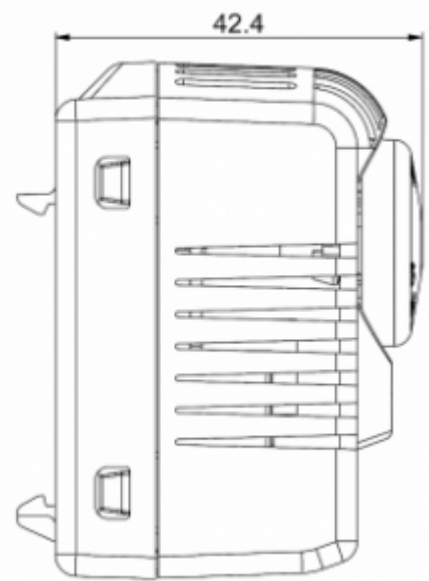
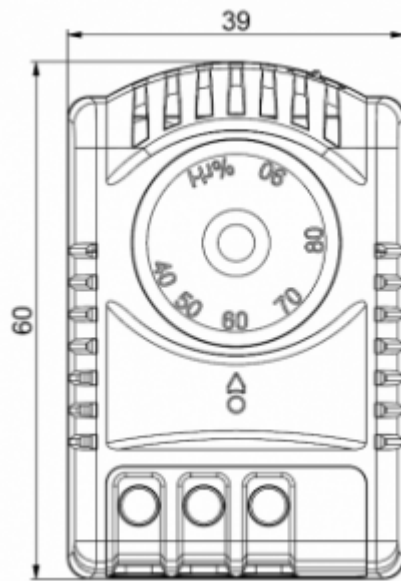
Brand Name:	SoliTherm
Order Number:	301410
Color:	Grey (RAL 7011)
Housing Material:	PC plastic
Ingress protection:	IP 20
Note:	Hyst. 5%r.H. / Sw.Pt.tol $\pm 4\%$
Approvals:	CE, cURus, RoHS
UL File Nummer:	E358385
Taric Code:	90321089

Technical data 301410

Temperature range:	0°C - 60°C / 95 %
Setting range:	30% - 90%r.H.
Mounting:	Clips for DIN rail 35 mm
Dimension H x W x D:	60 x 39 x 42.4 mm
Voltage / Frequency:	max. 230 V AC 2 A (hum) / 5 A (dehum)
Lifetime:	30k cycles
Connection:	3-pole terminal, clamping torque 0.5 Nm max. solid wire - 2.5 mm ² max., stranded wire - 1.5 mm ² max.

Please click on the graphics to download.
More CAD drawings can be found under [Product Download](#).
> [Overview product group Thermal controls / Accessories](#)

**Cut out
dimensions:**



[click image to enlarge](#)