

## Electronic thermostat 301510



### Product Features

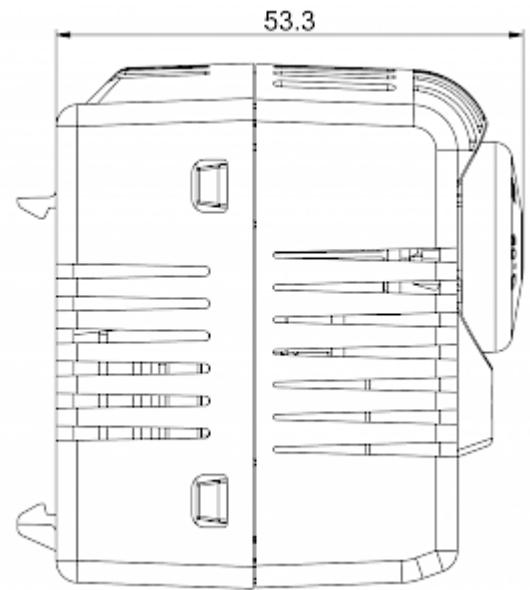
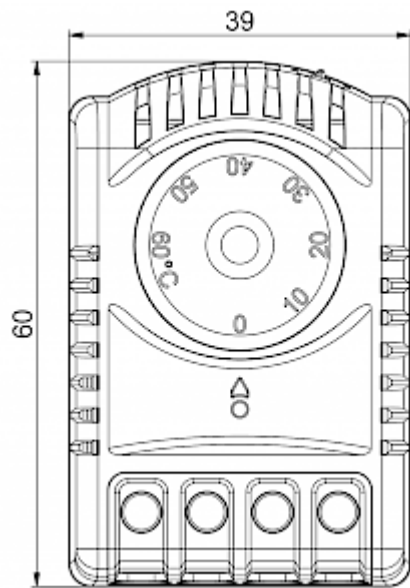
<b>Brand Name:</b>	SoliTherm
<b>Order Number:</b>	301510
<b>Color:</b>	Grey (RAL 7011)
<b>Housing Material:</b>	PC plastic
<b>Ingress protection:</b>	IP 20
<b>Note:</b>	Hyst. 3K / Sw. Pt. tol 3K
<b>Approvals:</b>	CE, cURus, RoHS
<b>UL File Nummer:</b>	E358385
<b>Taric Code:</b>	90321089

## Technical data 301510

<b>Temperature range:</b>	-25 - 70°C / 95% int. sensor -25 - 80°C / 95% ext. sensor
<b>Setting range:</b>	0°C - 60°C
<b>Mounting:</b>	DIN rail 35 mm
<b>Dimension H x W x D:</b>	60 x 39 x 53.3 mm
<b>Weight:</b>	56 g
<b>Voltage / Frequency:</b>	24 V DC / 16 A
<b>Lifetime:</b>	100,000 hrs.

Please click on the graphics to download.  
More CAD drawings can be found under [Product Download](#).  
> [Overview product group Thermal controls / Accessories](#)

**Cut out  
dimensions:**



[click image to enlarge](#)