

Hose-proof protection hood FC 4000 000



Product Features

Brand Name:	SoliTherm
Order Number:	4000000020
Housing Material:	Stainless steel AISI 304 (V2A)
Ingress protection:	IP 56 / Type 1,2,3,3X,3R,3RX,3S,3SX, 4,4X,5,12,12K,13 when installed according to instruction manual
Note:	For 106.5 x 106.5 mm Filter Fan
Optional:	Available powder coated in different colors and different materials
Approvals:	CE, cULus
UL File Nummer:	E498756
Taric Code:	84145915

Technical data FC 4000 000

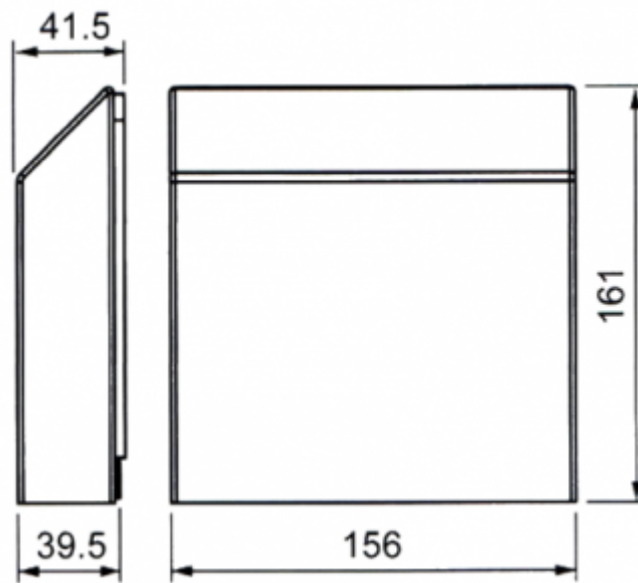
Mounting:	Stainless steel support to apply between base and clips
Dimension H x W x D:	230 x 150 x 40 mm
Weight:	0.65 kg

Please click on the graphics to download.

More CAD drawings can be found under [Product Download](#).

> [Overview product group Filter Fans & Exhaust Filters](#)

Cut out dimensions:



[click image to enlarge](#)