

Filter Fan FL 4621A 120V



Product Features

Order Number:	4621A3000
Color:	RAL 7035
Housing Material:	ABS Plastic
Ingress protection:	IP 54
Optional:	Different housing colours available on request With NEMA 3R protection part no. 4621A3030
Approvals:	CE, cULus, CSA
Taric Code:	84145915

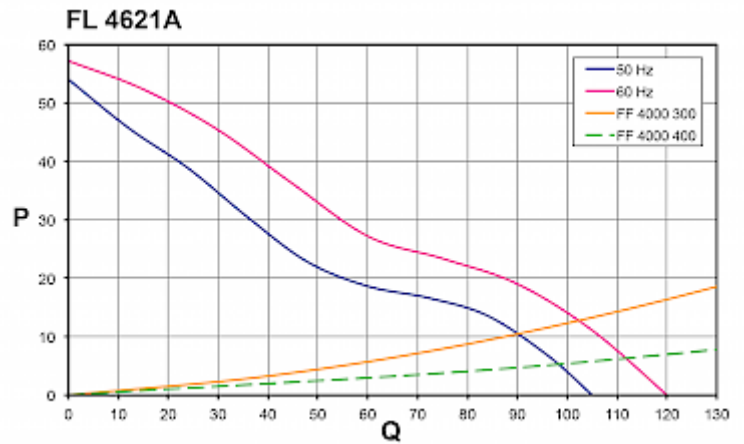
Technical data FL 4621A 120V

Temperature range:	-10°C - +55°C
Static pressure:	57 Pa
Dimension H x W x D:	250 x 250 x 111.8 mm
Weight:	1.2 kg
Cut out dimensions:	223 x 223 (+1.5) mm
Voltage / Frequency:	120 V ~ 60 Hz
Rated current:	0.21 A
Power consumption:	16 W
Degree of separation:	85% - DIN 24185
Wall thickness:	1.5 - 2.5 mm
Filter class:	G3 gemäß EN 779
Installation:	Elastic clips or by 4 self-threading screws
Noise level:	49 dB(A)

Please click on the graphics to download.
More CAD drawings can be found under [Product Download](#).
> [Overview product group Filter Fans & Exhaust Filters](#)

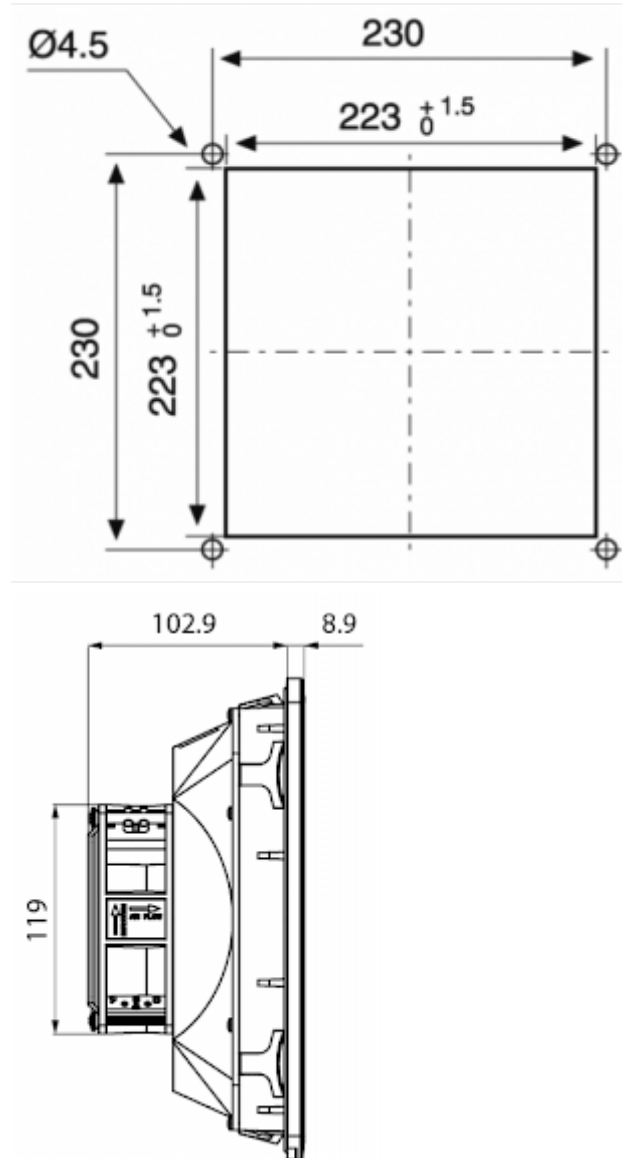
Air flow:

Q = Air flow [m³/h]
P = Static pressure [Pa]



[click image to enlarge](#)

Cut out dimensions:



[click image to enlarge](#)