

Filter Fan FL 4830A 400V



Product Features

Order Number:	4830A9000
Color:	RAL 7035
Housing Material:	ABS Plastic
Ingress protection:	IP 54
Optional:	Different housing colours available on request With NEMA 3R protection part no. 4830A9030
Approvals:	CE, cULus, CSA
Taric Code:	84145915

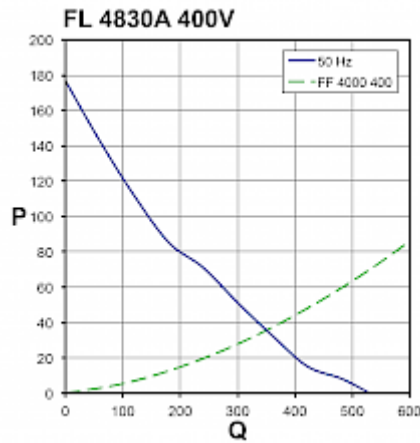
Technical data FL 4830A 400V

Temperature range:	-10°C - +70°C
Static pressure:	180 Pa
Dimension H x W x D:	325 x 325 x 160.2 mm
Weight:	3.1 kg
Cut out dimensions:	291 +1.5 x 291 +1.5 mm
Voltage / Frequency:	380-415 V 50 Hz 3~ 400-460 V 60 Hz 3~
Rated current:	0.25 A
Power consumption:	169 W
Degree of separation:	85% - DIN 24185
Wall thickness:	1.5 - 2.5 mm
Filter class:	G3 gemäß EN 779
Installation:	Elastic clips or by 4 self-threading screws
Noise level:	69.8 dB(A) @ 50 Hz 72.7 dB(A) @ 60 Hz

Please click on the graphics to download.
 More CAD drawings can be found under [Product Download](#).
 > [Overview product group Filter Fans & Exhaust Filters](#)

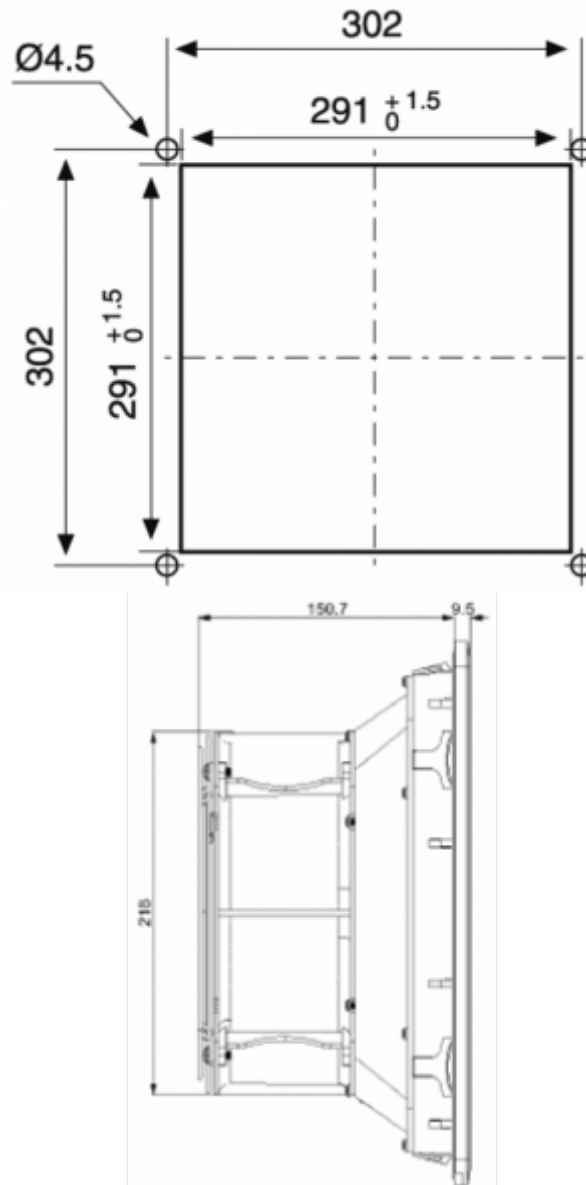
Air flow:

Q = Air flow [m³/h]
P = Static pressure [Pa]



[click image to enlarge](#)

Cut out dimensions:



[click image to enlarge](#)