

Door switch SW 3100



Product Features

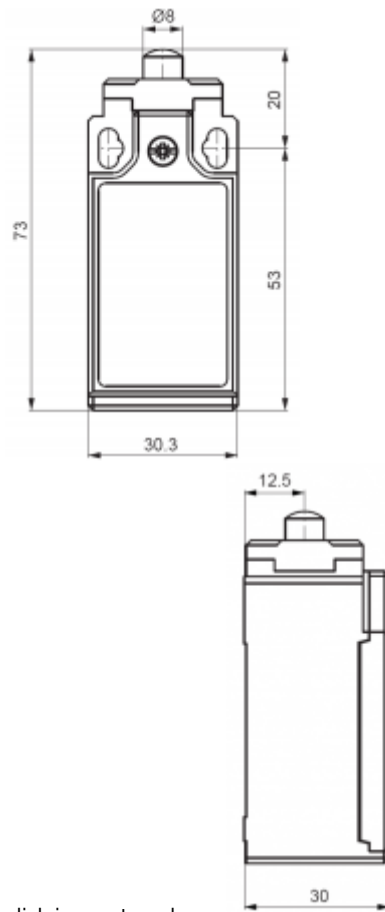
Brand Name:	SoliTherm
Order Number:	3100001
Housing Material:	ABS Plastic
Ingress protection:	IP 65
Included:	2 x M4 screws, mounting bracket
Note:	Plain plunger
Approvals:	CE, cURus
Taric Code:	90321089

Technical data SW 3100

Temperature range:	-25°C - +70°C
Mounting:	2 x M4 screws
Dimension H x W x D:	73 x 30.3 x 30 mm
Voltage / Frequency:	24 - 400 V AC / 50-60 Hz 24 - 250 V DC
Rated current:	AC: 10 - 1.8 A DC: 28 - 0.27 A
Connection:	Screws terminal for electrical connection and one cable inlet for PG 13.5 cable gland

Please click on the graphics to download.
More CAD drawings can be found under [Product Download](#).
> [Overview product group Thermal controls / Accessories](#)

Air flow:



click image to enlarge
click image to enlarge